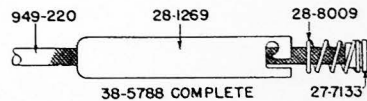
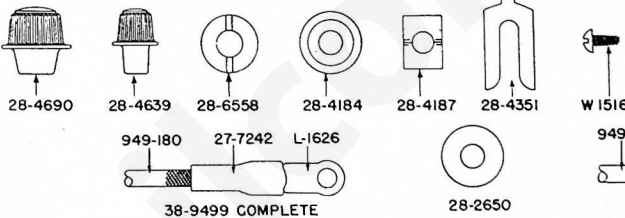
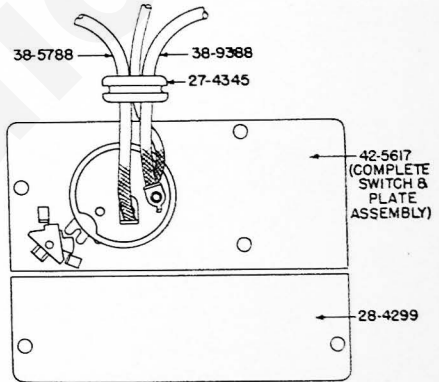
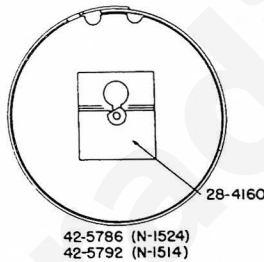
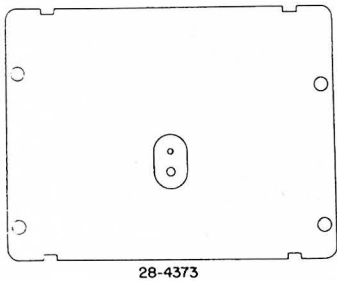
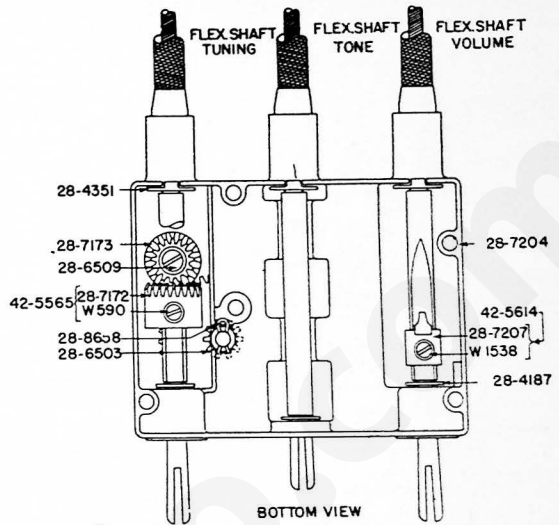
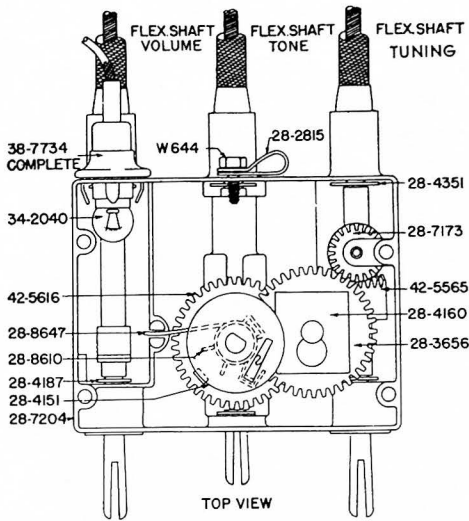


# NASH CONTROL---MODELS N-1514 and N-1524



28-8813 TUNING CONTROL SHAFT (N-1524)  
28-8815 TUNING CONTROL SHAFT (N-1514)

28-8814 VOLUME CONTROL SHAFT (N-1524)  
28-8816 VOLUME CONTROL SHAFT (N-1514)

28-8798 TONE CONTROL SHAFT (N-1524)  
28-8817 TONE CONTROL SHAFT (N-1514)

## PARTS LIST AND PRICES (Prices Subject to Change Without Notice)

Part No.	Description	List Price	Part No.	Description	List Price	Part No.	Description	List Price
L-1524*	Leg	.02	28-4299	Cover	.03	28-8798	Tone Shaft (N-1524)	1.00
W-500	Screw	per 100 2.00	28-4351	Shaft Retainer	.01	28-8813	Tuning Shaft (N-1524)	1.00
W-611	Screw	per 100 1.50	28-4373	Cover	.10	28-8814	Volume Shaft (N-1524)	1.00
W-1516	Screw	per 100 1.30	28-1639	Tone Knob	*	28-8815	Tuning Shaft (N-1514)	1.00
W-1538	Screw	per 100 1.80	28-1690	Tuning & Volume Knob	*	28-8816	Volume Shaft (N-1514)	1.00
27-1245	Grommet	.02	28-6503	Gear	.05	28-8817	Tone Shaft (N-1514)	1.00
27-7133	Terminal	.01	28-6509	Screw	.03	34-2040	Pilot Lamp	.09
27-7242	Sleeve	per 100 .10	28-6558	Gland Nut	.25	38-5788	"A" Lead	*
28-1269	Fuse Housing	.01	28-7172	Miter Gear	.10	38-7734	Pilot Lamp Assembly	.35
28-2650	Washer	per 100 .15	28-7173	Miter Idler Gear	.10	38-9388	"A" Lead	.20
28-2815	Clamp	.01	28-7204	Housing	.50	42-5565	Miter Gear Assembly	.15
28-4656	Gear	.02	28-7207	Switch Arm	.05	42-5617	Switch Arm Assembly	.15
28-4151	Friction Washer	.02	28-8009	Spring	per 100 .50	42-5616	Drum Shaft & Gear	.10
28-4160	Spring	.01	28-8610	Spring	.03	42-5617	On-Off Switch	.40
28-4181	Knob Base	.02	28-8647	Anti-back Lash Spring	.02	42-5786	Dial Assembly (N-1524)	.35
28-4187	Washer	.01	28-8658	Spring	.03	42-5792	Dial Assembly (N-1514)	.40

\* Prices not available at this time.